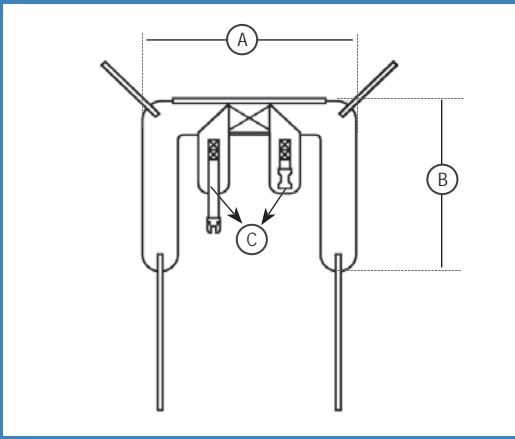


This is a toileting sling designed for use with BHM Medical ceiling and floor lifts. It allows care providers to remove clothes without removing the sling. The sling is constructed using less material and therefore easier to put on and remove.

It has a buckle type harness. To use the sling, the person must have good upper body control plus sitting ability. The person's arms are positioned outside the sling at all times.



Hygienic Sling

HYGIENIC SLING				
#PRODUCT	DESCRIPTION	DIMENSIONS		
			CM	IN
#THY-S	Small Hygienic Sling Chest 69-89 cm (27-35 in)	A	96	38
		B	84	33
		C	89	35
#THY-M	Medium Hygienic Sling Chest 89-107 cm (35-42 in)	A	106	42
		B	89	35
		C	106	42
#THY-L	Large Hygienic Sling Chest 107-125 cm (42-49 in)	A	117	46
		B	94	37
		C	124	49

Refer to Sling Operating & Product Care Instructions Guide for complete application details.

# PRODUCT	DESCRIPTION
#THY-S	Small Hygienic Sling
#THY-M	Medium Hygienic Sling
#THY-L	Large Hygienic Sling

FEATURES	
Warranty against defect	1 year - washable models*
Safe working load	272 kg / 600 lb / 42.86 st
Open area from above waist to thighs	Excellent for toileting. Allows easy access to undergarments, incontinence pads, or for cleaning. Sling supports both the upper body and lower body
Padded and quilted polyester	Special designed fabric is ultra-soft and long lasting. Sling provides extra comfort
Padded waist band with belt	Easy to install on a seated person. Extra padding under the arms keeps the person comfortable during the transfer. Padding around entire waist reduces pressure
Machine washable	Easy to clean and care for
Strong nylon/polyester straps with positioning loops	Person can be : • seated • semi-reclined • fully reclined
Special leg strap design	Allows the sling to be installed in a variety of methods according to the patients needs.
Rear Positioning handles	• Transfer assistance • Positions the person properly over the chair • Fast and easy transfers from lying position to seated position • Assists the caregiver to rotate the person

TECHNICAL SPECIFICATIONS




Conforms to ISO 10535 & Marked CE

*Conditional to normal use and maintenance according to appropriate labels, the sling must be used only with the appropriate BHM Medical Inc. lifting devices.

INSTALLATION METHOD



Body position according loop strap color combinations

	Shoulders	Legs
	Blue	Blue
	Grey	Grey
	Black	Black