

KWIKtrak

- a configuration to suit every need
- easier & faster to install
- a complete system of components
- aesthetically pleasing
- reduces space required for curves by 1/3
- ideally suited for use in confined areas

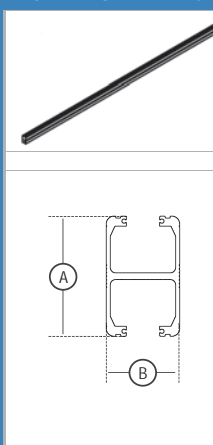
Ceiling fastened track

# PRODUCT	DESCRIPTION
#200.12800	KWIKtrak 90 mm - Straight track 2 meter length
#200.12810	KWIKtrak 90 mm - Straight track 3 meter length
#200.12815	KWIKtrak 90 mm - Straight track 4 meter length
#200.12820	KWIKtrak 90 mm - Straight track 6 meter length
#700.12840	KWIKtrak 90 mm - Curve track 45°
#700.12860	KWIKtrak 90 mm - Curve track 90°

KWIKtrak

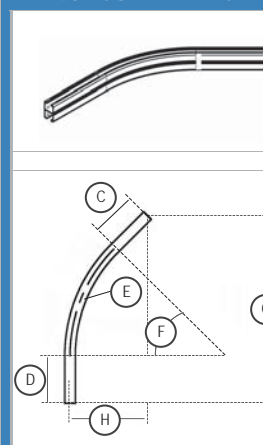
90 mm

KWIKTRAK 90MM STRAIGHT TRACK



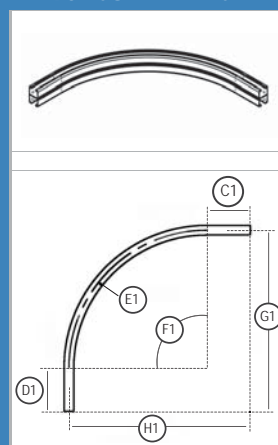
DIMENSIONS		
A	90 mm	3 9/16"
B	55 mm	2 3/16"

KWIKTRAK 90MM 45° CURVE TRACK



DIMENSIONS		
C	325 mm	12.8"
D	325 mm	12.8"
E	R 575 mm	R 22.6"
F	45°	
G	961 mm	37.83"
H	398 mm	15.67"

KWIKTRAK 90MM 90° CURVE TRACK



DIMENSIONS		
C1	150 mm	5.91"
D1	150 mm	5.91"
E1	R 575 mm	R 22.6"
F1	90°	
G1	725 mm	28.54"
H1	725 mm	28.54"

KWIKtrak

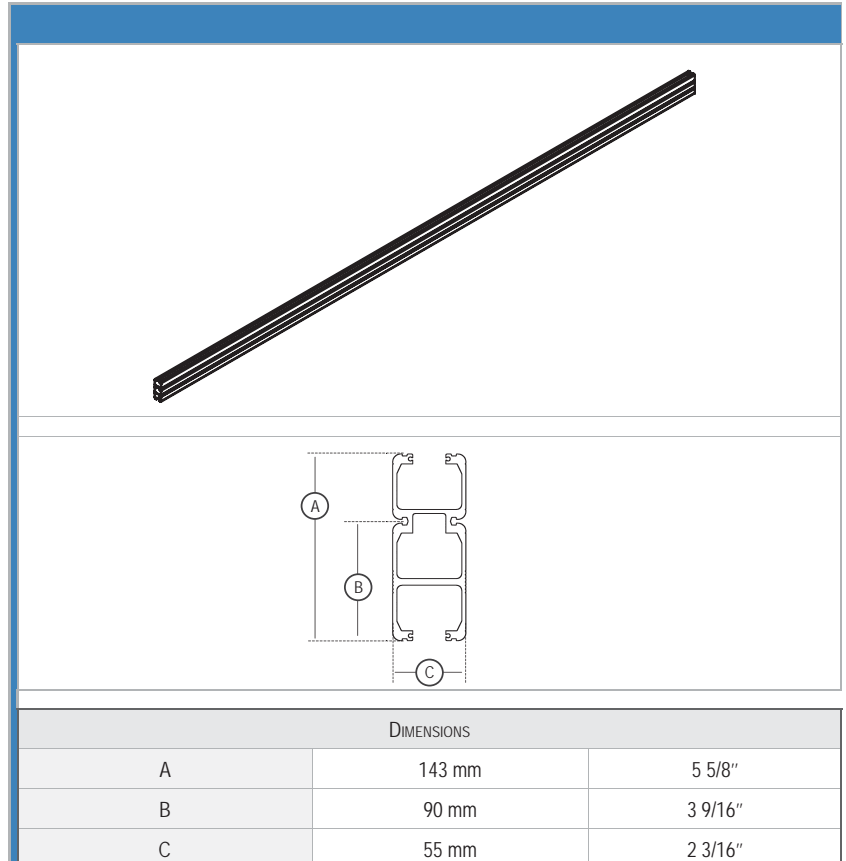
- a configuration to suit every need
- easier & faster to install
- a complete system of components
- aesthically pleasing
- reduces space required for curves by 1/3
- ideally suited for use in confined areas

Ceiling fastened track

# PRODUCT	DESCRIPTION
#200.12876	KWIKtrak 140 mm - Straight track 2.5 meter length
#200.12874	KWIKtrak 140 mm - Straight track 3.0 meter length
#200.12872	KWIKtrak 140 mm - Straight track 3.5 meter length
#200.12870	KWIKtrak 140 mm - Straight track 4.5 meter length

KWIKtrak

140 mm




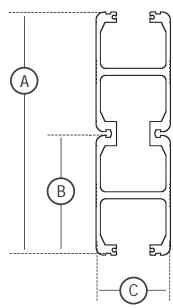
KWIKtrak

- a configuration to suit every need
- easier & faster to install
- a complete system of components
- aesthetically pleasing
- reduces space required for curves by 1/3
- ideally suited for use in confined areas

Ceiling fastened track

# PRODUCT	DESCRIPTION
#200.12881	KWIKtrak 180 mm - Straight track 2.5 meter length
#200.12882	KWIKtrak 180 mm - Straight track 3.5 meter length
#200.12883	KWIKtrak 180 mm - Straight track 4.0 meter length
#200.12884	KWIKtrak 180 mm - Straight track 4.5 meter length
#200.12885	KWIKtrak 180 mm - Straight track 5.0 meter length
#200.12886	KWIKtrak 180 mm - Straight track 5.5 meter length
#200.12880	KWIKtrak 180 mm - Straight track 6.0 meter length

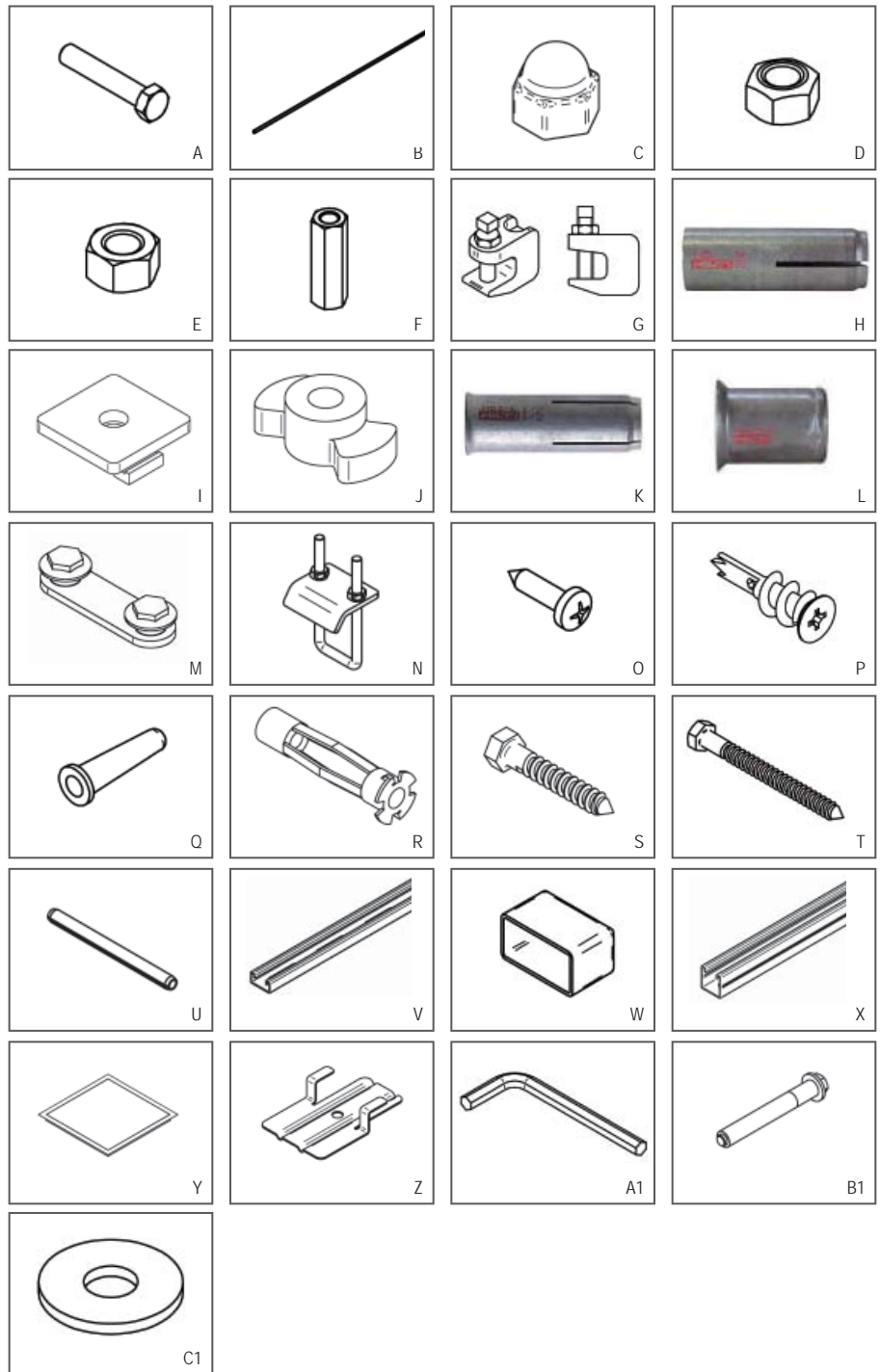
KWIKtrak 180 mm

DIMENSIONS		
A	183 mm	7 3/16"
B	90 mm	3 9/16"
C	55 mm	2 3/16"

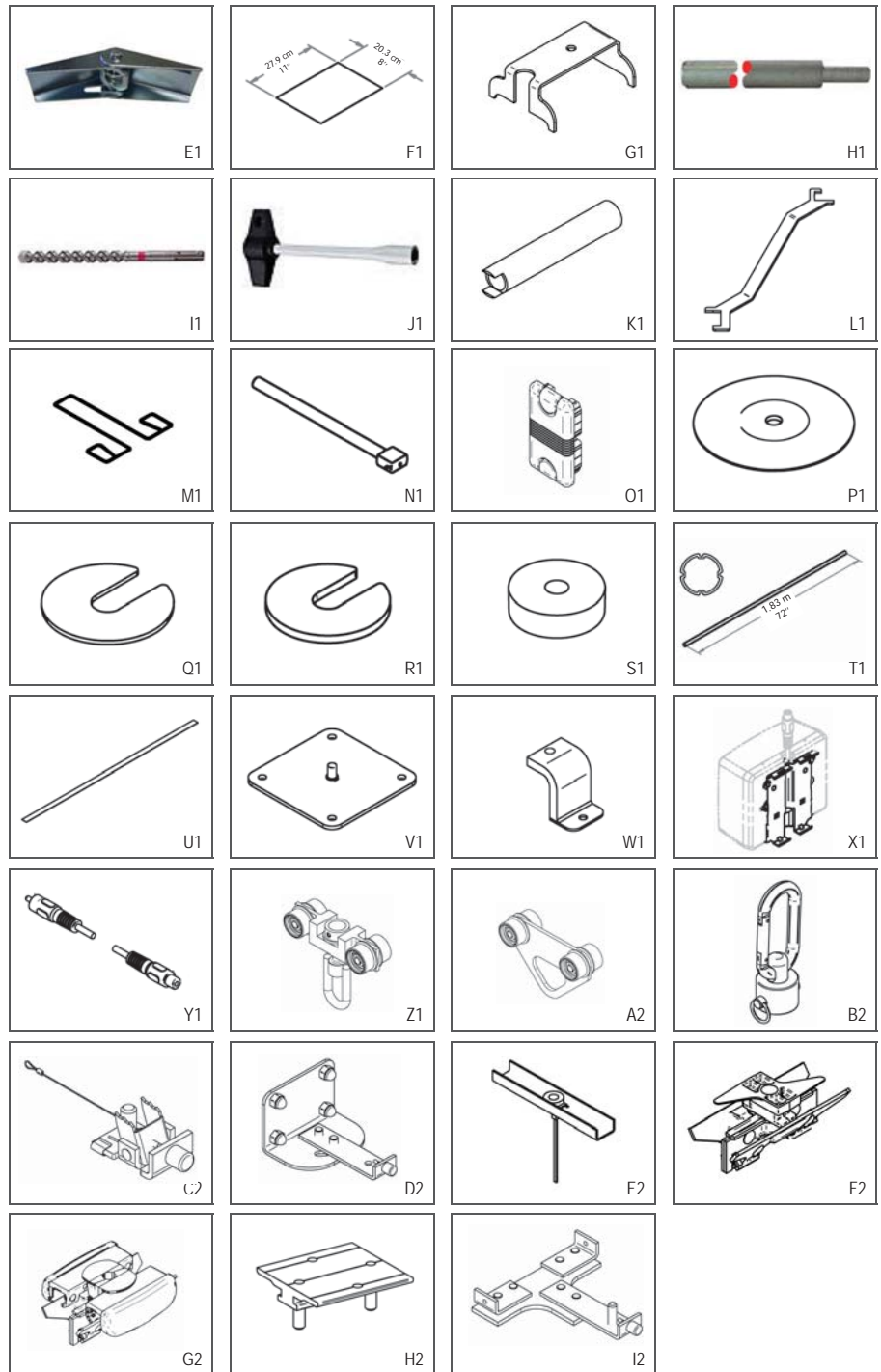
ACCESSORIES

A	#000.00357	Hex head bolt 3/8-16 X1"
A	#000.00381	Hex head bolt 3/8-16 X2"
A	#000.00385	Hex head bolt 3/8-16 X2 1/2"
B	#000.00394	Threaded Rod 3/8-16 X 10'
C	#000.00398	Plastic Cap 3/8-16 white
D	#000.00402	Stover Locknut 3/8-16
E	#000.00405	Nut 3/8-16
F	#000.00410	Coupling nut 3/8-16
G	#000.00412	Beam C-Clamp 3/8"
H	#000.00423	Drop-in Hilti anchor 3/8-16
I	#000.00424	Saddle Nut (MSA-F 3/8-16)
J	#000.00426	Strut Nut (MKN-FM 3/8-16)
K	#000.00427	Flush mount Drop-in anchor 3/8-16
L	#000.00428	Drop-in Hilti anchor 3/8-16
M	#000.00490	Strut-Ties (MKN-SV)
N	#000.00500	Beam Clamp 1 5/8
N	#000.00505	Beam Clamp 2 7/16
O	#000.00645	Tap Screw ST 4.8 X 19 PHILLIPS
P	#000.00650	E-Z-Anchor (for screw #8 and #10 or for st4.2 & st4.8)
Q	#000.00655	Plastic Anchor #10-12
R	#000.00660	Expandable Anchor for gypsum (use with M6 screw)
S	#000.00695	Lag Bolt 1/4 X 1 1/2 Hex Zinc
T	#000.00740	Lag Bolt 3/8 X 4 Zinc
U	#000.00810	Spring pin for KWIKtrak joint
V	#000.01205	Hilti Strut 13/16, white 10'
W	#000.01215	White Cap for 13/16 Hilti Strut
W	#000.01217	White Cap for 1 5/8 Hilti Strut
X	#000.01230	Hilti Strut 1 5/8 X 10'
X	#000.01238	Hilti Strut 2 7/16 X 10"
Y	#000.01260	Access door 46 cm X 46 cm (18" X 18")
Z	#000.01290	Hilti insta back 1/2"
Z	#000.01295	Hilti insta back 5/8"
A1	#000.02690	Allen Key 5mm long
A1	#000.03280	Allen Key 6mm long
A1	#000.03975	Allen Key 8mm short
B1	#000.03660	Anchor HSL M8/20 (to fix spacer on Wall Post)
E	#000.04400	Nut M10
D	#000.04416	Stover Locknut M10
C1	#000.04430	Flat Washer 10mm ID / 20mm OD
C1	#000.04875	Flat Washer 12mm ID / 32mm OD



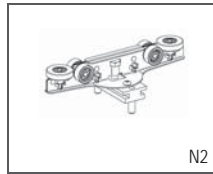
ACCESSORIES

E1	#001.11095	Pressure Nut Foldable
F1	#001.14045	White sticker
G1	#005.00010	Bracket adaptor for #003.33649 laser
H1	#005.00045	Hand Setting tool HST 3/8
I1	#002.05352	Carbide Tipped Bit for concrete 1/2" X 6"
I1	#002.05355	Carbide Tipped Bit for concrete 1/2" X 18"
J1	#005.00495	Wrench for Strut Ties
K1	#005.11090	Tool for Pressure Nut
L1	#005.11100	Lock-Unlock Tool
M1	#005.11110	Bracket Removing Tool (4 pkg)
N1	#005.11120	Spring Pin Tool
O1	#200.11060	Flat White Cap for H track
P1	#200.11140	100 mm Ceiling Plate (100 pkg)
Q1	#200.11150	1.5 mm Bracket Shim (200 pkg)
R1	#200.11160	3 mm Bracket Shim (200 pkg)
S1	#200.11170	12 mm Bracket Shim (100 pkg)
T1	#200.12970	Threaded Rod Cover
U1	#200.12980	Wall Post Shim 3.2 mm (1/8")
U1	#200.12985	Wall Post Shim 6.4 mm (1/4")
V1	#225.11380	4-Point Fixation Plate
W1	#225.12910	Floor adaptor for Post
X1	#225.15540	Clip-On Bracket for Charger Box
Y1	#402.15505	RCA Charger Cable Extension
Z1	#700.10620	KWIKtrak Swivel Trolley for Portable Track Lift
A2	#700.10650	KWIKtrak Trolley Portable Track Lift
B2	#700.10950	Pivoting adaptor for portable
C2	#700.11005	KWIKtrak Autolock Rail Stopper
D2	#700.11020	Wall Bracket
E2	#700.11090	Pressure Nut 3/8-16
E2	#700.11095	Pressure Nut M10
F2	#700.11100	KWIKtrak bracket (10 pkg)
G2	#700.11105	KWIKtrak joint bracket (10 pkg)
H2	#700.11205	455kg/1000 lb/71.43st Kwiktrak bracket
I2	#700.11220	Track "T" Junction bracket

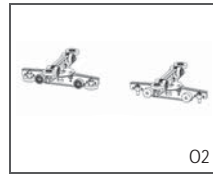


ACCESSORIES

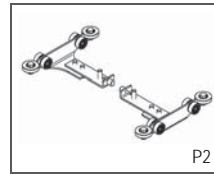
N2	#700.11285	X-Y Short Trolley Flush Mount 272 kg/600 lb/ 42.86 st capacity
O2	#700.11290	X-Y Trolley kit 272kg/600lb/42.86st capacity
P2	#700.11295	X-Y Trolley Kit Flush Mount 272 kg/600 lb/ 42.86 st capacity -portable track lift only
Q2	#700.11350	Adjustable Lateral Brace
R2	#700.11360	Adjustable Lateral Brace (long)
S2	#700.11370	Cathedral Ceiling Bracket
T2	#700.11380	Visible Lateral Brace
U2	#700.12300	X-Y Trolley Kit 455 kg/1000 lb/71.43 st capacity
V2	#700.12900	End of Track Wall Post (1)
W2	#700.12910	Wall Post Side Mounted
X2	#700.15510	X-Y Charger Interface
Y2	#700.15570	KWIKtrak X-Y Retaining Assembly
Z2	#E0265	Surface Raceway 1.8 m/6' (self adhesive)
A3	#001.12720	SWL label for track - French
A3	#001.12725	SWL label for track - English
B3	#700.12500	Load Test 340 kg / 750 lb / 53.57 st
B3	#700.12540	Load Test 408 kg / 900 lb / 36.29 st
B3	#700.12550	Load Test 567 kg / 1250 lb / 89.29 st
C3	#700.12560	Empty trolley - for Load Test
D3	#700.00092	Hoist 680 kg / 1500 lb 107.1 st+ Track Trolley Kit



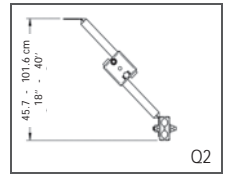
N2



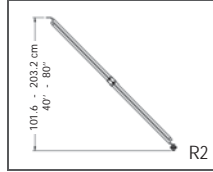
O2



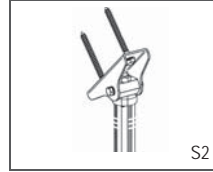
P2



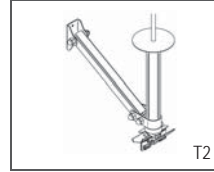
Q2



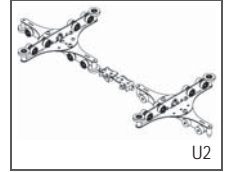
R2



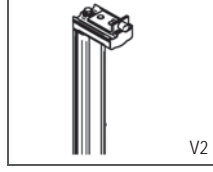
S2



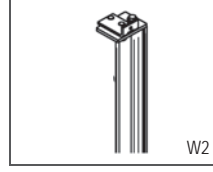
T2



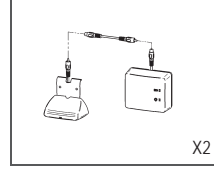
U2



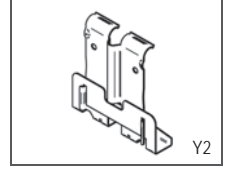
V2



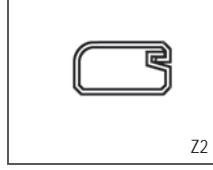
W2



X2



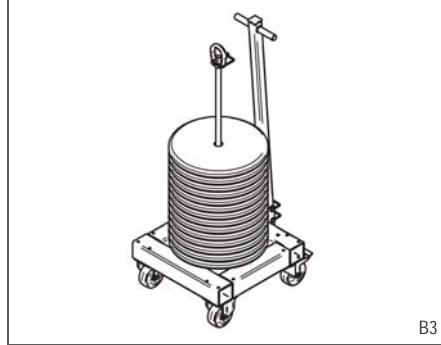
Y2



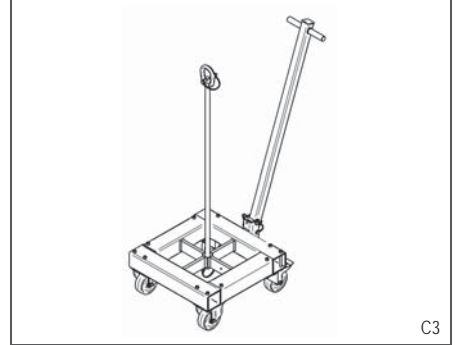
Z2



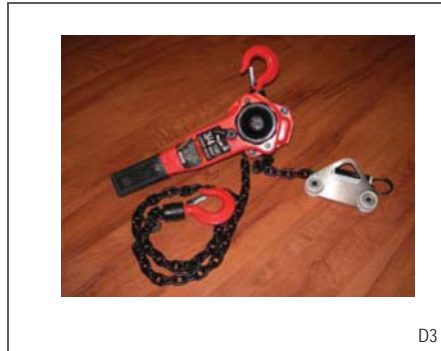
A3



B3

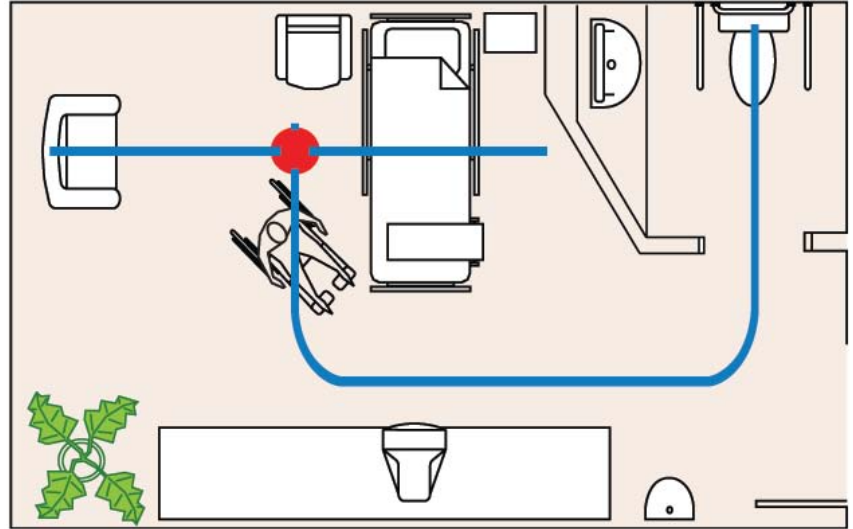


C3



D3

Turntable allows the main track to intersect a secondary track section.



Ceiling fastened track

Turntable

KWIKtrak 90 mm

The automatic turntable requires no power connection. The fixed ceiling lift's power-sharing feature actuates the turntable.

The electric turntable is powered by a conventional electric outlet and activated by a pull cord. For use with portable ceiling lifts.

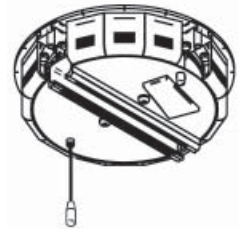
AUTOMATIC TURNTABLE



To be used with fixed ceiling lifts:
V4 & V4i

# PRODUCT	DESCRIPTION
#700.11600	For KWIKtrak - 90 mm

ELECTRIC TURNTABLE

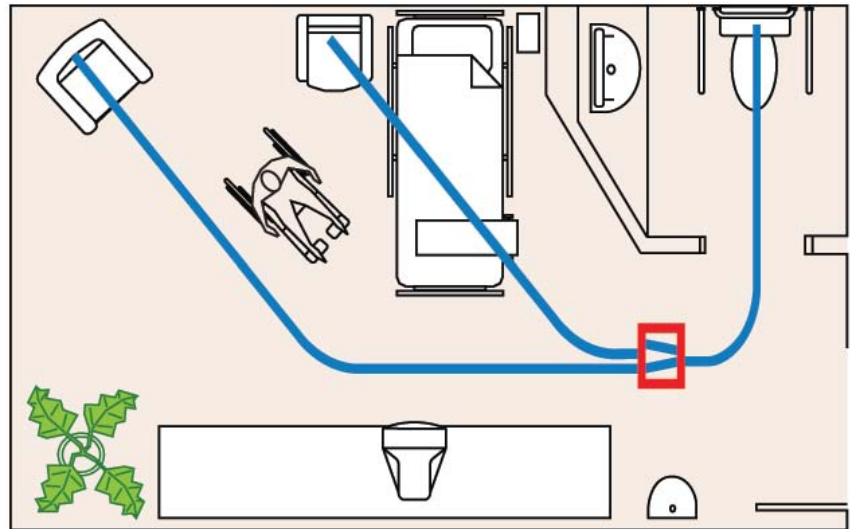


To be used with portable ceiling lifts:
V3 & Voyager

# PRODUCT	DESCRIPTION
For KWIKtrak - 90 mm	
#700.11651	Market: North America
#700.11652	Market: Japan
#700.11654	Market: Australia
#700.11658	Market: Europe & United Kingdom

Exchanger functions like a branch in the road. Allows the lift access from one care area to separate care areas.

Ceiling fastened track

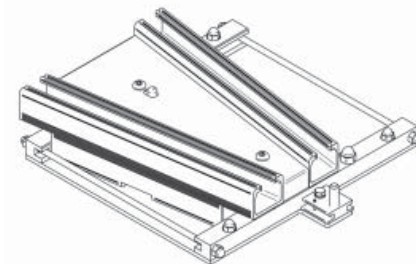


Exchanger

KWIKtrak 90 mm

The exchanger is a power sharing device - actuated by the fixed ceiling lift.

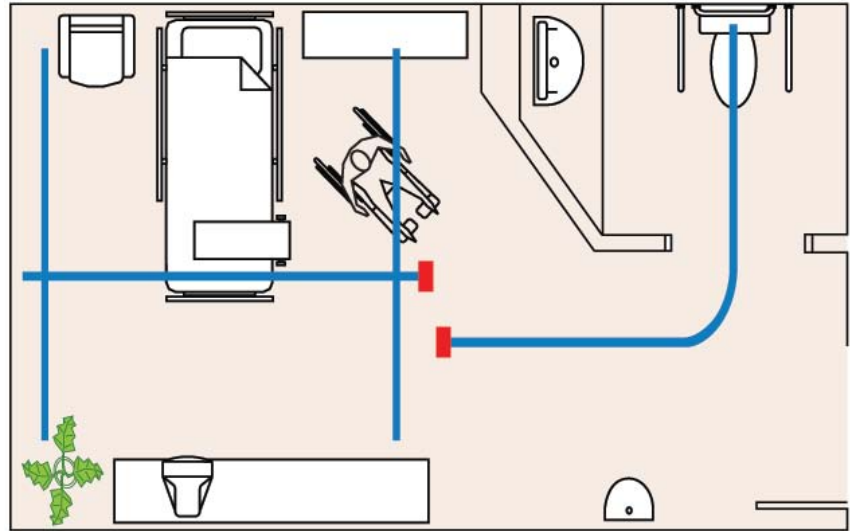
EXCHANGER



To be used with the fixed ceiling lifts: V4 & V4i

# PRODUCT	DESCRIPTION
#700.11700	For KWIKtrak - 90 mm

Gate is used for transiting the ceiling lift from an X-Y (movable 3rd track) system to a single track system.



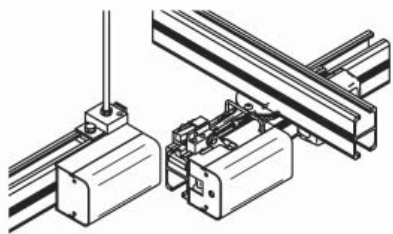
Ceiling fastened track

Gate

KWIKtrak 90 mm

The gate is a power sharing device. The gate device is available as a single unit and 2 gate combination kit.

The combination kit is used at both ends of the X-Y (movable 3rd track) to allow the lift to transit from a single track system into the X-Y system and out to a second single track system.

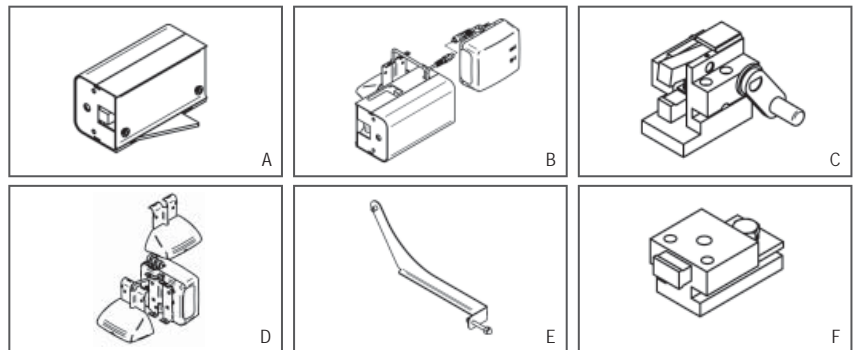


To be used with the fixed ceiling lifts: V4 & V4i

#	PRODUCT	DESCRIPTION	#	PRODUCT	DESCRIPTION
#700.11500		KWIKtrak Gate	#700.11505		2 KWIKtrak Gates combination kit

COMMON SPARE PARTS

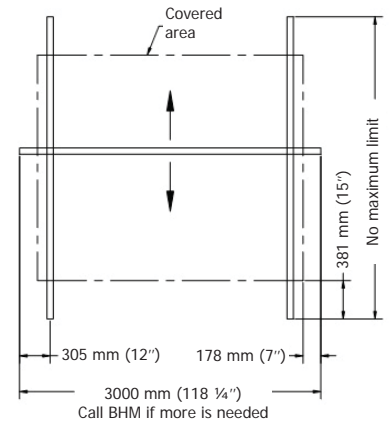
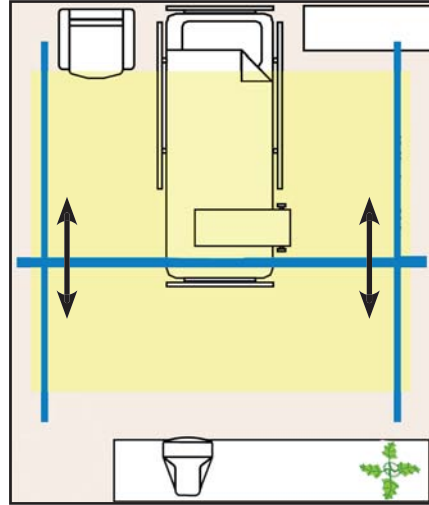
A	#700.11550	KWIKtrak gate fixed box
B	#700.11560	KWIKtrak gate motor box
C	#700.11570	KWIKtrak gate clamp block
D	#700.15515	3 contacts interface kit
E	#700.11635	KWIKtrak gate reinforcement kit
F	#700.11580	KWIKtrak gate fixed block



The X-Y system features a movable 3rd track that permits precise positioning of the lifted person anywhere under the X-Y systems range.

Selection is based on distance between fasteners and the ceiling lift capacity.

The distance between fasteners is the maximum permitted between fasteners wall posts or parallel tracks of the X-Y.



Ceiling fastened track

X-Y System

KWIKtrak

TRACK SIZE

MAXIMUM DISTANCE BETWEEN FASTENERS FOR FIXED TRACK SECTIONS

CEILING LIFT CAPACITY			90 MM	140 MM	180 MM
KG	LB	ST			
200	440	28.57	2.50 m	4.50 m*	6.00 m*
270	600	42.86	2.15 m	4.15 m	5.80 m
360	800	57.14	1.85 m	3.60 m	5.00 m
455	1000	71.43	1.65 m	3.20 m	4.50 m

*Maximum length available

CEILING LIFT CAPACITY			MAXIMUM UNSUPPORTED SPAN OF THE MOVING 3 rd TRACK ON AN X-Y SYSTEM DISTANCE IS EXPRESSED IN METERS																	
KG	LB	ST	1.75	2.00	2.25	2.50	2.75	3.00	3.25	3.50	3.75	4.00	4.25	4.50	4.75	5.00	5.25	5.50	5.75	6.00
200	440	28.57	HO	HO	HO	HO	HM	HM	HM	HM	HM	HM	HM	HM	HM	HL	HL	HL	HL	HL
270	600	42.86	HO	HO	HM	HM	HM	HM	HM	HM	HM	HM	HL	HL	HL	HL	HL	HL	NR	NR
360	800	57.14	HO	HM	HM	HM	HM	HM	HM	HM	HL	HL	HL	HL	HL	NR	NR	NR	NR	NR
455	1000	71.43	HM	HM	HM	HM	HM	HM	HM	HL	HL	HL	HL	HL	NR	NR	NR	NR	NR	NR

HO - KWIKtrak 90mm - Standard span

HM - KWIKtrak 140mm - Medium span

HL - KWIKtrak 180mm - Long span

NR - Not recommended

ACCESSORIES

A	#700.11295	XY Flush mount trolley KWIKtrak
B	#700.12300	XY Trolley Kit 455 kg KWIKtrak
C	#700.15570	XY retaining assembly KWIKtrak
D	#700.15510	XY Charger Interface KWIKtrak (To use with #700.11290)
E	#700.11285	XY Short trolley

