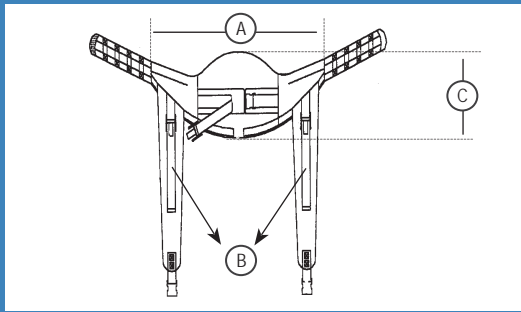


The Total Transfer Harness has a wide body component for increased support of the upper torso; minimizing the harness "riding up" under the arms of the person. Designed for use with BHM Medical sit and stand floor lifts, this harness is to be used for seat to seat transfers, toileting and pericare.

This harness allows for removal of lower extremity clothes of the person without removal of the harness.

Persons should have good upper body control to hold themselves up and lean back. The added leg straps provide additional support under hamstring area.

The person's arms are positioned outside the sling at all times.



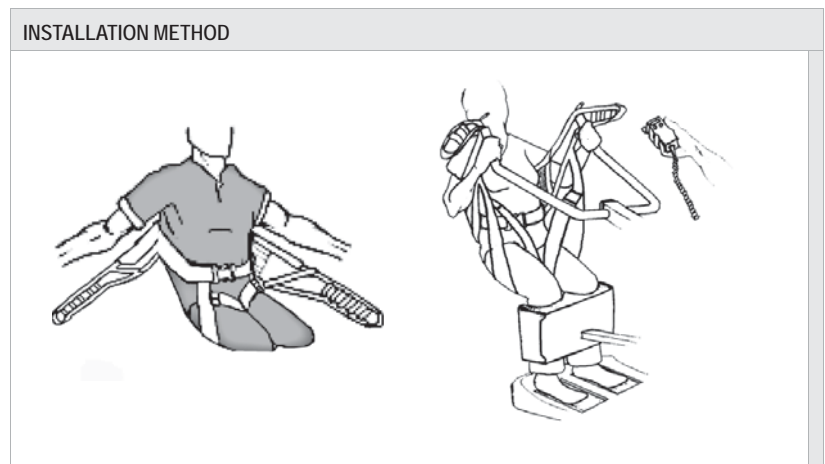
# PRODUCT	DESCRIPTION
#4000TTC	Total Transfer Harness - Small
#4000TT	Total Transfer Harness - Large

FEATURES	
Warranty against defect	1 year - washable models*
Safe working load	272 kg / 600 lb / 42.86 st
Open area from above waist to thighs	Excellent for toileting. Allows easy access to undergarments, incontinence pads, or for cleaning. Sling supports both the upper body and lower body
Machine washable	Easy to clean and care for
Extra padding under arms	Provides additional cushion Flexible and gentle
Back support strips	Distributes the weight evenly throughout the sling. Covers a wide area of the back for support. Reduces pressure under the arms

TECHNICAL SPECIFICATIONS	
Conforms to ISO 10535 & Marked CE	
*Conditional to normal use and maintenance according to appropriate labels, the sling must be used only with the appropriate BHM Medical Inc. lifting devices.	

Total Transfer Harness

TOTAL TRANSFER HARNESS				
# PRODUCT	DESCRIPTION	DIMENSIONS		
			CM	IN
#4000TTC	Total Transfer Harness - Small Capacity 20-68 kg / 45-150 lb / 3.15-10.71 st	A	106	42
		B	61	24
		C	23	9
#4000TT	Total Transfer Harness - Large Capacity 68-272 kg / 150-600 lb / 10.71-42.86 st	A	117	46
		B	71	28
		C	33	13



Refer to Sling Operating & Product Care Instructions Guide for complete application details.