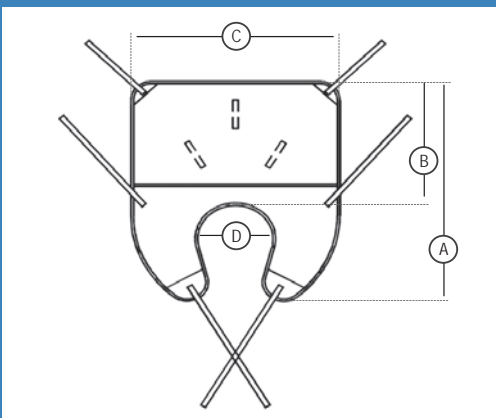


This is a general purpose total lift sling, designed for use with BHM Medical ceiling and floor lifts. It is used to lift a person from the bed, wheel chair, geriatric chair, toilet, shower chair and off the floor.

This sling can be used for people with limited upper body function, but they must have good head control, the sling does not provide head support. The Quick Fit design makes it perfect for stocky or those individuals with large hips or thighs.



# PRODUCT	DESCRIPTION
#TIR-S	Small Quick Fit Sling
#TIR-M	Medium Quick Fit Sling
#TIR-L	Large Quick Fit Sling

FEATURES	
Warranty against defect	1 year - washable models*
Safe working load	272 kg / 600 lb / 42.86 st
Machine washable	Easy to clean and care for
Soft nylon/polyester padded leg area	Easy to install on a seated person. The sling slides without irritation to the skin
Strong nylon/polyester straps with positioning loops	Person can be : <ul style="list-style-type: none"> • seated • semi-reclined • fully reclined
Extra sturdy	Excellent for obese and stocky people. Adjustable straps to position the sling. Extra room for thighs and hips. Has hip straps to support weight on the sides
Special leg strap design	Allows the sling to be installed in a variety of methods according to the patients needs.
Rear Positioning handles	<ul style="list-style-type: none"> • Transfer assistance • Positions the person properly over the chair • Fast and easy transfers from lying position to seated position • Assists the caregiver to rotate the person

Quick Fit Sling

TECHNICAL SPECIFICATIONS

Conforms to ISO 10535 & Marked CE

*Conditional to normal use and maintenance according to appropriate labels, the sling must be used only with the appropriate BHM Medical Inc. lifting devices.

Quick Fit Sling				
# PRODUCT	DESCRIPTION	DIMENSIONS		
		CM	IN	
#TIR-S	Small Quick Fit Sling Capacity 20-45 kg / 45-100 lb / 3.15-7.14 st	A	101	40
		B	56	22
		C	89	35
		D	30	12
#TIR-M	Medium Quick Fit Sling Capacity 45-90 kg / 100-200 lb / 7.14-14.29 st	A	117	46
		B	66	26
		C	99	39
		D	35	14
#TIR-L	Large Quick Fit Sling Capacity 90-272 kg / 200-600 lb / 14.29-42.86 st	A	127	50
		B	71	28
		C	109	43
		D	35	14

INSTALLATION OPTIONS			
Bridge, leg closed with straps interlaced	Cradled, legs closed	Body position according loop strap color combinations	
		Shoulders	Legs
		Black	Blue
		Grey	Blue
		Blue	Blue
		Blue	Grey

Refer to Sling Operating & Product Care Instructions Guide for complete application details.