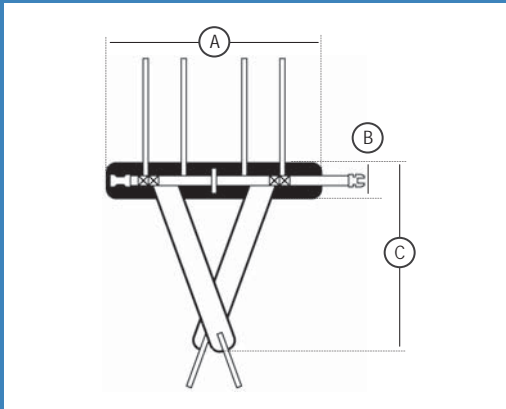


This sling help a person to reach a standing positions for gait training, balance and to protect caregivers. During walking exercises, it can provide complete or partial support. The person must have some weight bearing ability. The Walking Sling fits all BHM Medical ceiling lifts models and Ergolift. Do not use this sling on a person who does not have weight bearing ability and good muscle tone in the shoulders and neck.



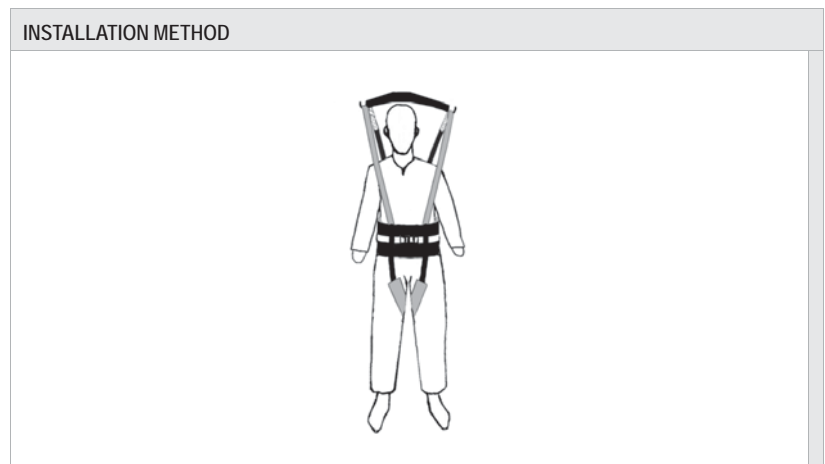
# PRODUCT	DESCRIPTION
#TEM-S	Walking Sling - Small
#TEM-M	Walking Sling - Medium
#TEM-L	Walking Sling - Large

FEATURES	
Warranty against defect	1 year - washable models*
Safe working load	272 kg / 600 lb / 42.86 st
Padded waist band with belt	Easy to install on a seated person. Padding around entire waist reduces pressure
Machine washable	Easy to clean and care for
Special leg strap design	Leg straps are fully padded to reduce pressure. Straps are adjustable to the person size
Waist band and leg straps	Excellent for rehab uses. Narrow, padded strap support through the legs. Enables a person to walk with the security of knowing they are fully supported
Strong nylon/polyester straps with positioning loops	Adjustable straps allow for people with large midsection. Provides flexibility for many types of people
Padded and quilted polyester	Specially designed fabric is ultra-soft, long lasting. Provides extra comfort. Fabric is easy to move

# Walking Sling

TECHNICAL SPECIFICATIONS
Conforms to ISO 10535 & Marked CE
*Conditional to normal use and maintenance according to appropriate labels, the sling must be used only with the appropriate BHM Medical Inc. lifting devices.

WALKING SLING				
# PRODUCT	DESCRIPTION	DIMENSIONS		
		CM	IN	
#TEM-S	Walking Sling - Small Capacity 20-45 kg / 45-100 lb / 3.15-7.14 st	A	89	35
		B	18	7
		C	76	30
#TEM-M	Walking Sling - Medium Capacity 45-90 kg / 100-200 lb / 7.14-14.29 st	A	107	42
		B	18	7
		C	91	36
#TEM-L	Walking Sling - Large Capacity 90-272 kg / 200-600 lb / 14.29-42.86 st	A	124	49
		B	18	7
		C	112	44



Refer to Sling Operating & Product Care Instructions Guide for complete application details.